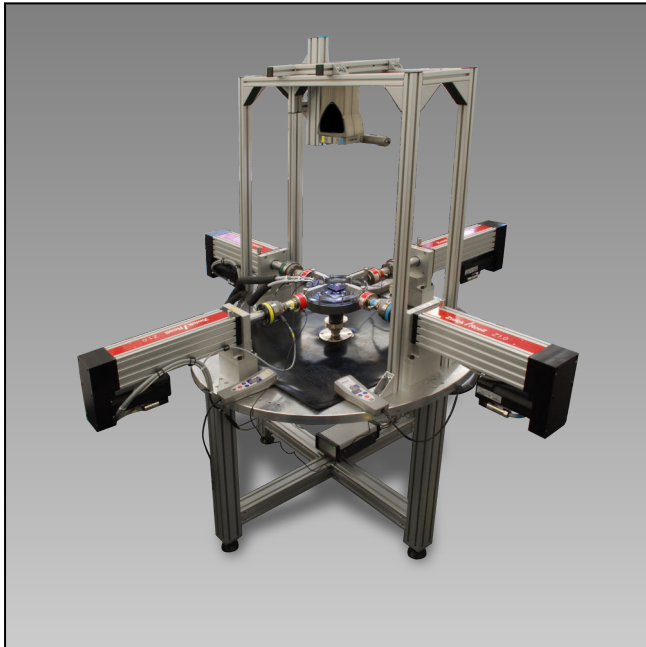


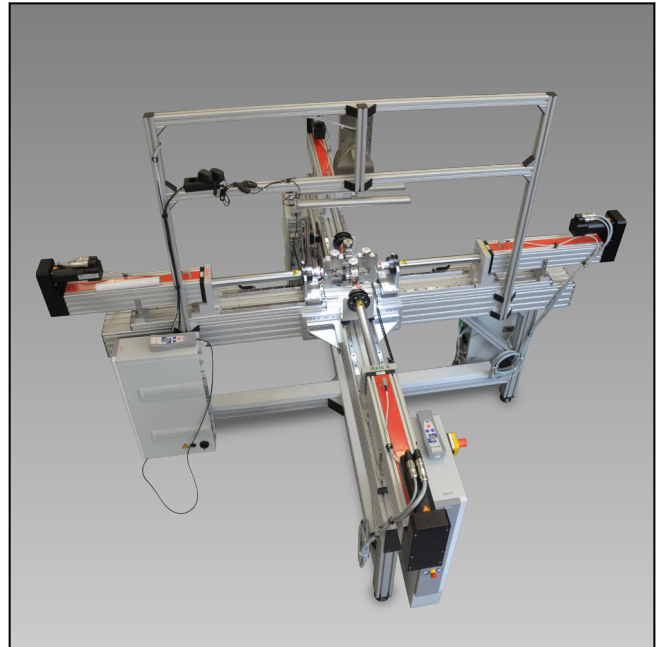
Product Information

Horizontally oriented cruciform testing machine with electro-mechanical testing actuators for tests up to 2 kN

CTA: 38483 38482



Cruciform testing machine with round table



Cruciform testing machine with crosswise support frame

Range of application

This cruciform testing machine is designed for uniaxial or biaxial tests on films/foils, paper, elastomers and biological materials up to a maximum test force of 2kN.

A circular baseplate constructed from aluminium profiles is mounted on a support frame. Arranged crosswise on the baseplate are four electro-mechanical testing actuators, each with a standard stroke of 200mm. If longer actuator strokes are required, a baseplate formed of crosswise aluminium profiles is available. The testing actuators plus additional piston-rod guide-assemblies are located on the profiles.

For strain measurement and control the videoXtens extensometer is available; specimen strain is recorded in the x/y directions. Mid-point control is available as an option if required in addition to strain measurement and control.

The videoXtens is mounted on a sturdy holding fixture and records the resulting strain in both test axes from above. The analog measurement signals are recorded in the assigned measurement and control electronics and used to control the electro-mechanical testing actuator.

If mid-point control is not required, the drive axes can also be provided in master-slave mode, in which case only two measurement and control electronics units are required.

Tests in liquid media can be performed using a height-adjustable bath with external temperature-control unit.

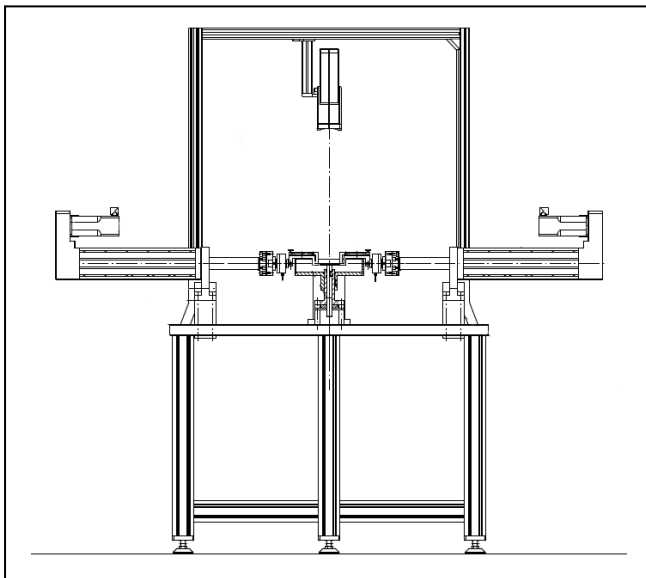
- employs proven ZwickRoell standard components
- convenient working height
- unobstructed view of specimen
- videoXtens employed for strain measurement and control
- testControl measurement and control electronics
- force or displacement control with smooth switching between modes
- testXpert III Master test program with graphical multi-axial sequence editor for 4 test axes for generation of customer's own test sequences
- low maintenance costs combined with high life-expectancy
- safety housing in compliance with CE Machinery Directive depending on application
- large range of specimen grips and fixtures

Product Information

Horizontally oriented cruciform testing machine with electro-mechanical testing actuators for tests up to 2 kN

Advantages and features

CTA: 36492



Installation drawing showing arrangement with round table

Fmax	2	2	kN
Item No.	004628	073106	
Load frame dimensions			
Height, max.	2000 ¹⁾	2100 ¹⁾	mm
Width, max.	2100	2950	mm
Depth, max.	2100	2950	mm
Working height	1100	1200	mm
Diameter of baseplate	1200	-	mm

1) incl. videoXtens mounting

Accessories required

Description	Item number
XNA chain	630027
Mobile Emergency STOP	362806
Operating panel for activating testControl electronics	043332
Voltage distributor with main switch	073113

Options

Description	Item number
Safety enclosure, two-sided, with access door Dimensions 4000 x 4200 mm	073111

Product Information

Horizontally oriented cruciform testing machine with electro-mechanical testing actuators for tests up to 2 kN

Note

- For technical data for the electro-mechanical testing actuators and load cells please see separate Product Information
- For technical data for specimen grips please see separate Product Information