

## Product Information

### Puncture test device

CTA: 44764 27945

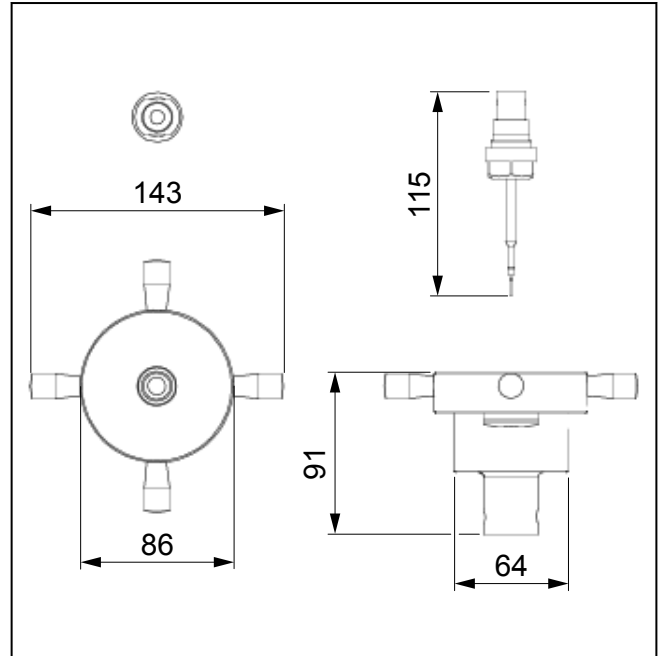


Test device for determining puncture resistance

#### Applications

The puncture test device determines the puncture resistance of flexible packaging materials as per EN 14477.

- **Specimen material:**  
flexible packaging materials



Overview of test fixture for determining puncture resistance

#### Advantages and features

- Fast, easy, reliable insertion of film strips
- Endless strip specimen can be clamped quickly and securely.
- The mounting of the test tip takes place in a collet allowing the test tip to be removed easily.
- Round exchange jaw inserts (Vulkolan or O-ring against steel) are available (included in scope of delivery). The jaws and the gripping force open and close mechanically via a clamping nut.

## Product Information

### Puncture test device

#### Technical data

Item No.	320906 <sup>1)</sup>	
Test load, max. (Fmax)	0.1	kN
Closing force	0.55 to 0.7	kN
Penetrator tip Ø	0.8	mm
Collet chuck, inside Ø	6	mm
Upper connection	Mounting stud Ø 8 mm	
Lower connection	Mounting stud Ø 20 mm	
Included in delivery	collect chuck for retaining penetrator-tip holder plus penetrator tip, Ø 0.8 mm, clamping device including round exchange jaw inserts (Vulkolan and O-ring against steel)	
<b>Clamping device</b>		
Puncture depth from film overlay	40	mm
Opening width, max.	7.5	mm
Puncture opening Ø	10	mm
Specimen width, max.	30	mm
Specimen thickness	0.01 to 2	mm
<b>Ambient temperature</b>		
Jaws, Vulkolan	-15 to +80	°C
Jaws, steel with O-ring	-40 to +80	°C

1) Interlocked safety-guard or safety device required.